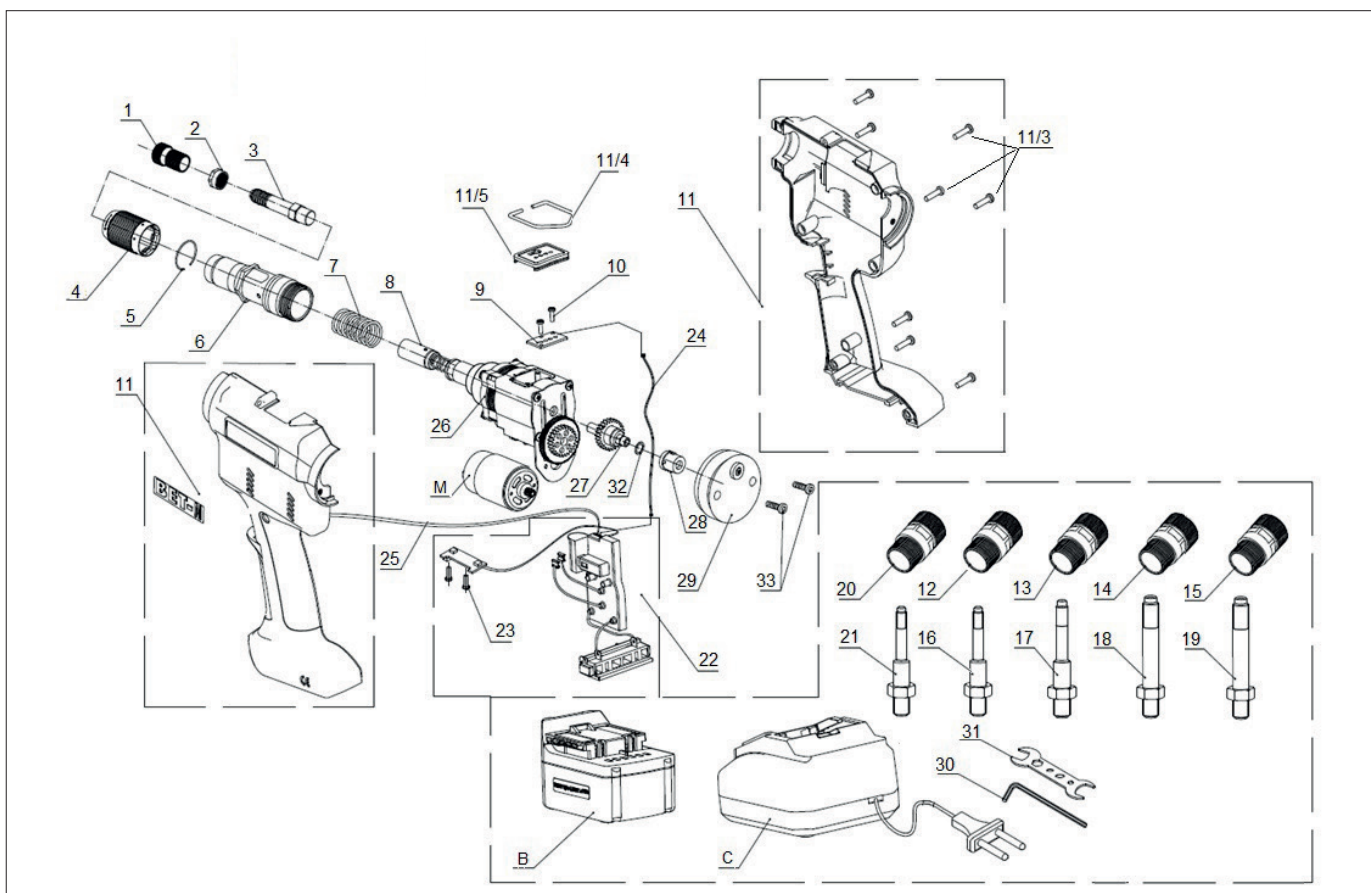


BREAKDOWN BET-N



OPTIONAL

05BETN00037	Mandrel UNC N° 6-32
05BETN00038	Mandrel UNC N° 8-32
05BETN00039	Mandrel UNC N° 10-24
05BETN00040	Mandrel UNC 1/4 - 20
05BETN00041	Mandrel UNC 5/16 - 18
05BETN00042	Mandrel UNC 3/8 - 16
05BETN00043	Mandrel UNC 1/2 - 13
05BETN00044	Mandrel M-3
05BETN00045	Nosepiece M-3
05BETN00015	Nosepiece M-12 BET-N
05BETN00019	Mandrel M-12 BET-N
05BETN00034	Nosepiece Stud M-5
05BETN00035	Nosepiece Stud M-6
05BETN00036	Nosepiece Stud M-8

N°	REFERENCE	DESCRIPTION
1	05BETN00001	Nosepiece M-10
2	05BETN00002	Counter nut
3	05BETN00003	Mandrel M-0
4	05BETN00004	Adjust sleeve
5	05BETN00005	Nylon ring
6	05BETN00006	Nosepiece pedestal
7	05BETN00007	Adjust pressure ring
8	05BETN00008	Protection sleeve
9	05BETN00009	Function panel
10	05BETN00010	Flat cross head screws (2units)
11	05BETN00011	Body assembly
12	05BETN00012	Nosepiece M-5 BET-N
13	05BETN00013	Nosepiece M-6 BET-N
14	05BETN00014	Nosepiece M-8 BET-N
16	05BETN00016	Mandrel M-5 BET-N
17	05BETN00017	Mandrel M-6 BET-N
18	05BETN00018	Mandrel M-8 BET-N
20	05BETN00020	Nosepiece M-4 BET-N
21	05BETN00021	Mandrel M-4 BET-N
B	05BET100019F	8 cell li-ion 14,4v 4,0 Ah battery
C	05BET000020	Charger STD
22	05BETN00022	PCB BETN
23	05BETN00033	Machine screws (2units)
M	05BET100016	MOTOR
24	05BET000010	Power illustration cable
25	05BETN00025	Cable sensor
26	05BETN00026	Gear box
27	05BETN00027	Wheel assembly
28	05BETN00028	Bearing assembly
29	05BETN00029	Rear cover
30	05BETN00030	Hex screwdriver sw5
31	05BETN00031	Spanner
32	05BETN00032	Flat washer
33	05BETN00033	Screw (2unds)