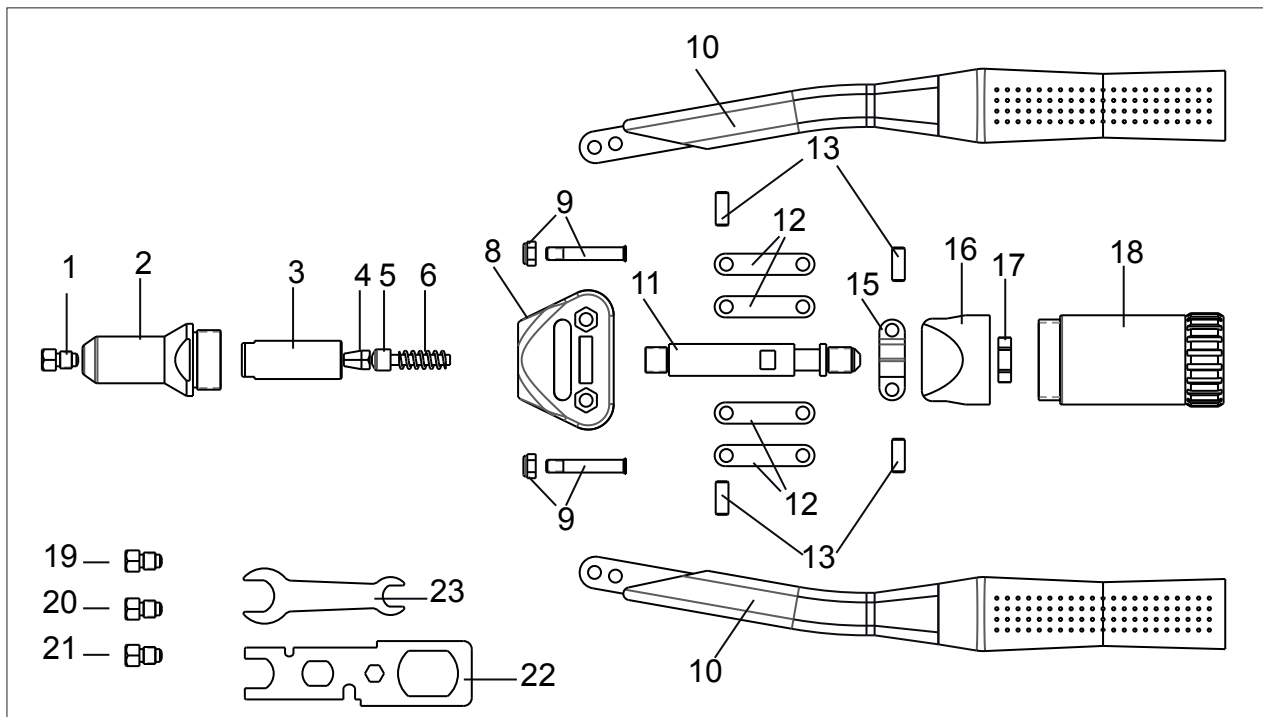


BREAKDOWN BM-160



NOSEPIECE N°	ALU/STEEL ALU/INOX	ALU/ALU	STEEL	STAINLESS STEEL	COPPER	HARDGRIP	STRUCTURAL
	d1	d1	d1	d1	d1	d1	d1
730	3,0 - 3,2	3,0 - 3,2	3,0 - 3,2		3,0 - 3,2	3,2 steel	
740	4,0	4,0	4,0	3,0 - 3,2 4,0	4,0	3,2 inox	
750	4,8 - 5,0					4,0	
760	6,0	4,8	4,8 - 5,0	4,8 - 5,0	4,8	4,8	

OPTIONAL

782							4,8
754	4,8 Head Ø16						
765		5,2 S.TREBOL					
766		6,4* S.TREBOL					
753	4,8 - 5,0 Long mandrel						
724	2,4	2,4		2,4			

* Jaws 05BM0001004

N°	REFERENCE	DESCRIPTION
1	05BM0000750	Nosepiece n°750
2	05BM0000201	Nosepiece case
3	05BM0002002	Jaw case
4	05BM0001001	Jaws
5	05BM0000203	Jaw pusher
6	05BM0000034	Jaw pusher spring
8	05BM0000204	Main body
9	05BM0000205	Screws + nut
10	05BM0000206	Handle
11	05BM0000208	Expansion piece
12	05BM0000209	Plates (4 units)
13	05BM0000207	Piston
15	05BM0000210	Anchoring piston
16	05BM0000211	Mandrel collector
17	05BM0000212	Collector Nut
18	05BM0000213	Mandrel case
19	05BM0000730	Nosepiece n°730
20	05BM0000740	Nosepiece n°740
21	05BM0000760	Nosepiece n°760
22	05BM0000100	Nosepiece Spanner
23	05BM0000109	Wrench 12-18

OPTIONAL

05BM0000782	Nosepiece n°782
05BM0000754	Nosepiece n°754
05BM0000765	Nosepiece n°765
05BM0000766	Nosepiece n°766
05BM0000753	Nosepiece n°753
05BM0000724	Nosepiece n°724
05BM0700076	Jaws special S-trebol

