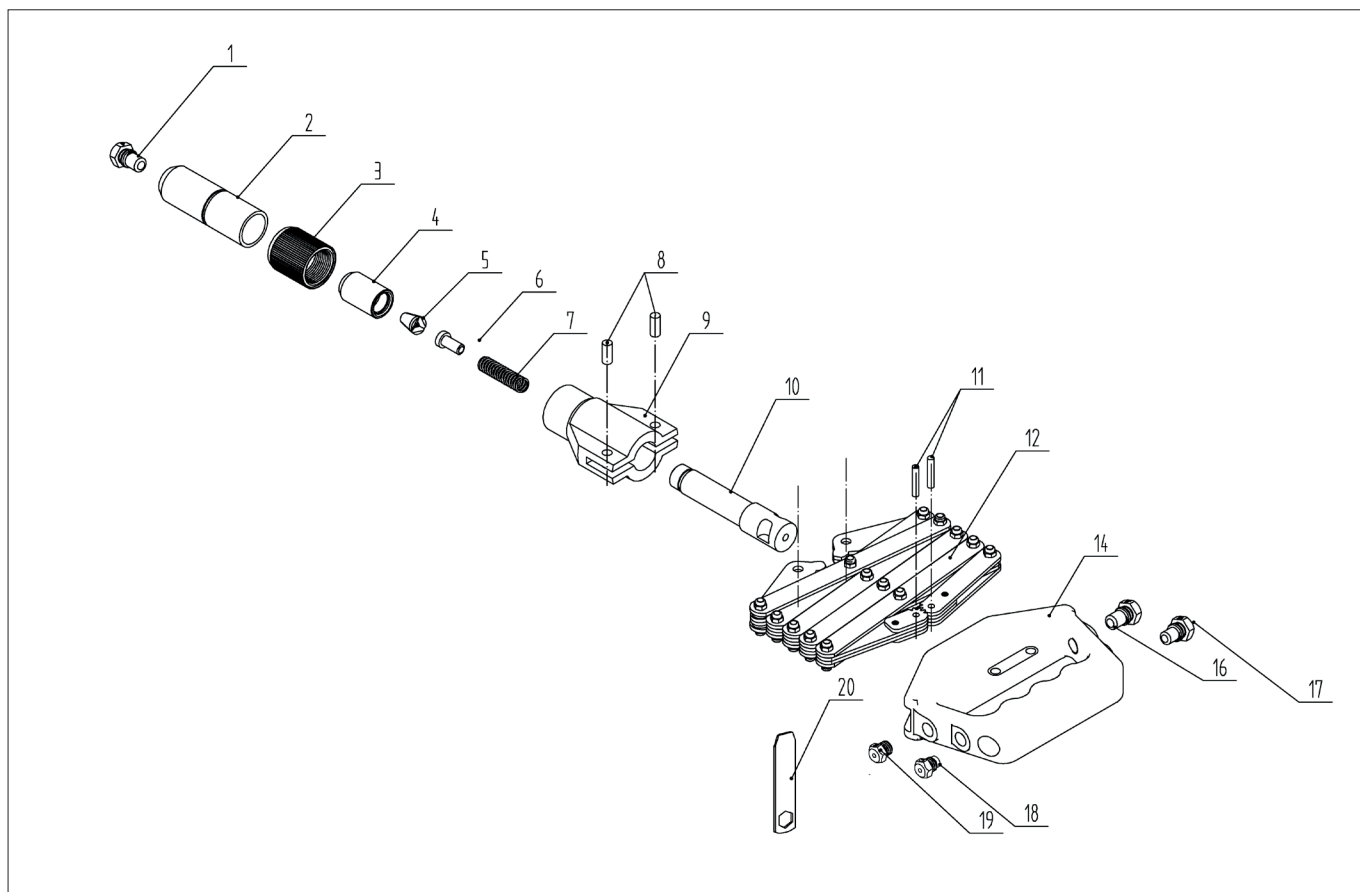


BREAKDOWN BM-68



NOSEPIECE N°	ALU/STEEL ALU/INOX	ALU/ALU	STEEL	INOX	COPPER	HARDGRIP
B	d1 3,0 - 3,2	d1 3,0 - 3,2	d1 3,0 - 3,2		d1 3,0 - 3,2	3,2 steel
C	4,0	4,0	4,0	d1 3,0 - 3,2 4,0	4,0	3,2 inox
D	4,8 - 5,0					4,0
E	6,0 *	4,8	4,8-5,0	4,8-5,0	4,8	4,8
F	6,4*		6,0-6,4*	6,0-6,4*		6,0*

N°	REFERENCE	DESCRIPTION
1	05BM0068001	Nosepiece F 6.4
2	05BM0068002	Nosepiece Case
3	05BM0068003	Adjust Nut
4	05BM0068004	Jaws Case
5	05BM0068005	Jaws (3 units)
6	05BM0068006	Jaw pusher
7	05BM0068007	Spring
8	05BM0068008	Body pins
9	05BM0068009	Maincorp
10	05BM0068010	Piston
11	05BM0068011	Bellows pins
12	05BM0068012	Bellows
14	05BM0068014	Handle
16	05BM0068016	Nosepiece B 3.2
17	05BM0068017	Nosepiece C 4.0
18	05BM0068018	Nosepiece D 4.8/5.0
19	05BM0068019	Nosepiece E 6.0
20	05BM0068020	Spanner

* For prolonged usage, we recommend you used the BM-164