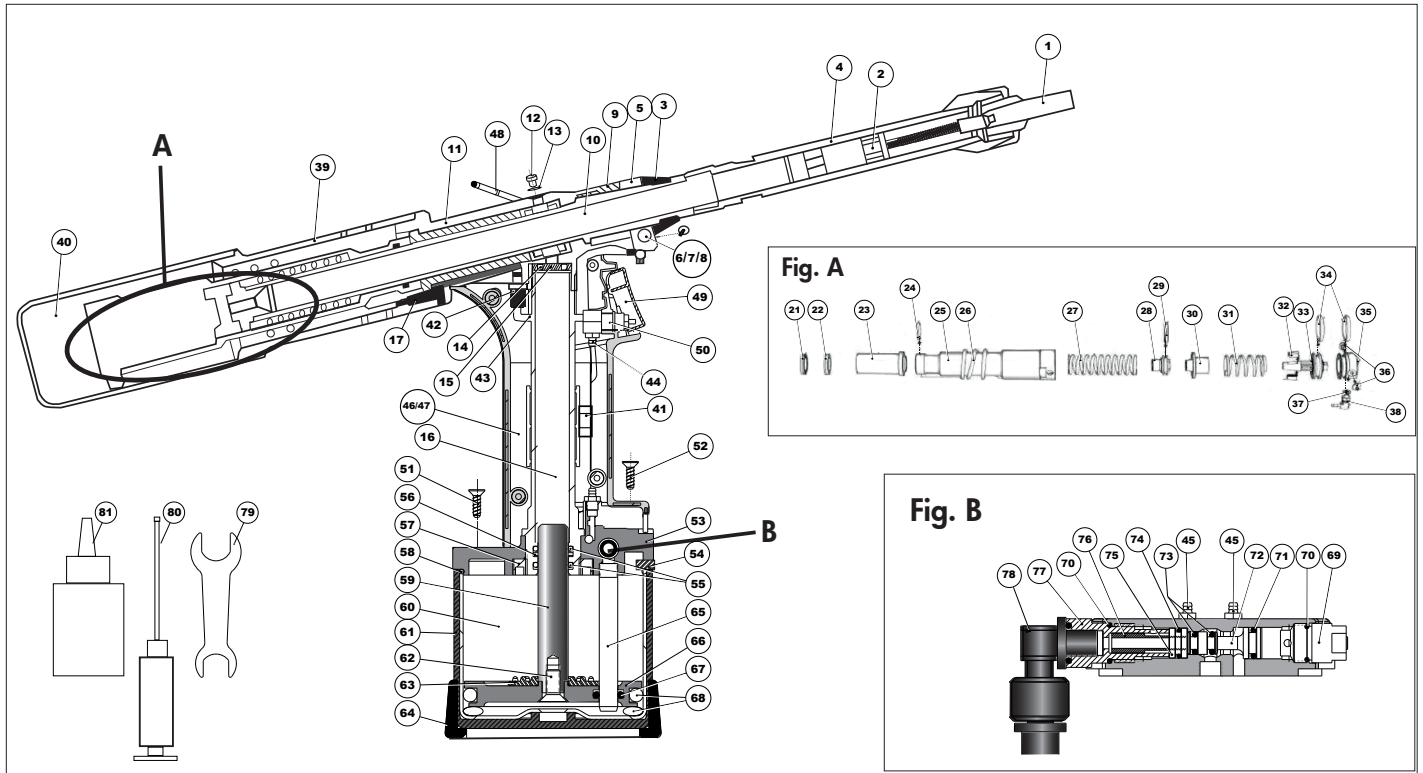
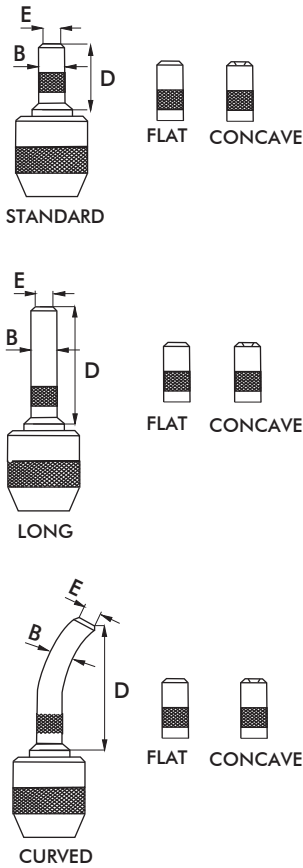


BREAKDOWN PT-SR



N°	REFERENCE	DESCRIPTION
1		NOZZLE
2	05PTR00002	SLIDER
3	05PTR00003	SWITCH BLOCK COVER
4	05PTR00004	L-BARREL (NOZZLE HOLDER)
5	05PTR00005	SWITCH BLOCK
6	05PTR00006	CARRIAGE
7	05PTR00007	CARRIAGE O-RING
8	05PTR00008	SCREW BUTTON
9	05PTR00009	BARREL NUT
10	05PTR00010	R-BARREL
11	05PTR00011	HYDRAULIC BODY
12	05PTR00012	BODY SCREW
13	05PTR00013	RUBBER WASHER
14	05BNT000391	OUTER HYDRAULIC CYLINDER O-RINGS (5)
15	05BNT000325	HYDRAULIC CYLINDER VALVE WASHER
16	05PTR00016	HYDRAULIC CYLINDER
17	05PTR00017	JAW TUBE CONNECTOR
21	05PTR00021	U-L PACKAGING
22	05PTR00022	U-R PACKAGING
23	05PTR00023	BODY PISTON
24	05PTR00024	GASKET
25	05PTR00025	TAIL JAW CYLINDER
26	05PTR00026	TAIL JAW TUBE
27	05PTR00027	CYLINDER RETURN SPRING
28	05PTR00028	BARREL PLUG
29	05PTR00029	RUBBING STRIPE
30	05PTR00030	TAIL JAW HOUSING
31	05PTR00031	TAIL JAW RETURN SPRING
32	05PTR00032	JAW HOLDER
33	05PTR00033	TAIL JAW TURRET ASSEMBLY
34	05PTR00034	GASKET
35	05PTR00035	TAIL JAW PLUG
36	05PTR00036	SOCKET BOLT
37	05PTR00037	WASHER
38	05PTR00038	FESTO ELBOW CONNECTOR
39	05PTR00039	CAVITY COVER
40	05PTR00040	END COVER
41	05PTR00041	CHECK VALVE
42	05PTR00042	AIR CONNECTOR
43	05PTR00043	AIR HOSE

N°	REFERENCE	DESCRIPTION
44	05PTR00044	AIR CONNECTOR
45	05PTR00045	AIR INTERFACE
46	05PTR00046	RIGHT GRIP
47	05PTR00047	LEFT GRIP
48	05BNT000367	HANGING RING
49	05BNT000411	TRIGGER SWITCH
50	05BNT000412	SWITCH UNIT
51	05BNT000406	PLASTIC HEX SCREW 4.0X30
52	05BNT000407	PLASTIC HEX SCREW 4.0X40
53	05BNT000308	HEX TOP COVER
54	05BNT000331	MUFFLER FILTER COVER
55	05BNT000379	GASKET 13X2.5 HYDRAULIC CYLINDER
56	05BNT000380	SUPPORT RING GASKET 13X2.5
57	05BNT000343	COLLAR-LID LOCKING NUT
58	05BNT000392	COVER SEALING GASKET
59	05BNT000368	BNT1 HEX PLUNGER SHAFT
60	05BNT000303	HEX INNER ALUMINUM INLY CUP
61	05BNT000304	PLASTIC HEX
62	05BNT000409	HEX PLUNGER SCREW
63	05BNT000404	RUBBER HEX PLUNGER STOPPER
64	05BNT000341	LOWER PROTECTIVE DEVICE
65	05BNT000395	8 BNT1 HEX AIR TUBING
66	05BNT000344	PNEUMATIC HEX PLUNGER
67	05BNT000381	O-RING 8X3 HEX PLUNGER
68	05BNT000382	O-RING 67.2X5.7 HEX
69	05BNT000339	SAFETY VALVE
70	05BNT000336	O-RING
71	05BNT000330	VALVE O-RING
72	05BNT000328	PISTON VALVE
73	05BNT000329	VALVE O-RING
74	05BNT000333	O-RING
75	05BNT000332	VALVE SHUT-OFF WASHER
76	05BNT000334	AIR SHUT-OFF VALVE
77	05BNT000335	AIR INLET PLUG
78	05BNT000416	AIR INLET FITTING
79	05BNT000414	FIXED WRENCH 16-18
80	05BNT000419	OIL SYRINGE
81	05BNT000420	OIL CAN



### Nozzles

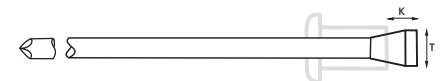
d1 Ø m/m	B m/m	D m/m	E m/m	TYPE AND SHAPE	CODE	SPRING & MANDREL*
<b>2,4</b>				Standard flat	05BSR010316	Standard
				Standard concave	05BSR010317	Standard
<b>3,2</b>	11,50	30,30	5,50	Standard flat	05BSR010310	Standard
	11,50	30,30	8,50	Standard concave	05BSR010311	Standard
	9,60	59,50	5,50	Long flat	05BSR010320	Long
	9,60	59,50	8,50	Long concave	05BSR010321	Long
	9,60	59,50	5,50	Curved flat	05BSR010330	Long
	9,60	59,50	8,50	Curved concave	05BSR010331	Long
<b>4,0</b>	12,50	30,30	7,00	Standard flat	05BSR010312	Standard
	12,50	30,30	10,50	Standard concave	05BSR010313	Standard
	12,50	59,50	7,00	Long flat	05BSR010322	Long
	12,50	59,50	10,50	Long concave	05BSR010323	Long
	12,50	59,50	7,00	Curved flat	05BSR010332	Long
	12,50	59,50	10,50	Curved concave	05BSR010333	Long
<b>4,8</b>	14,50	30,30	10,00	Standard flat	05BSR010314	Standard
	14,50	30,30	12,50	Standard concave	05BSR010315	Standard
	14,50	60,50	10,00	Long flat	05BSR010324	Long
	14,50	60,50	12,50	Long concave	05BSR010325	Long
	14,50	60,50	10,00	Curved flat	05BSR010334	Long
	14,50	60,50	12,50	Curved concave	05BSR010335	Long

\*\*NB. The spring and long mandrel must be used for the long and curved nozzles.

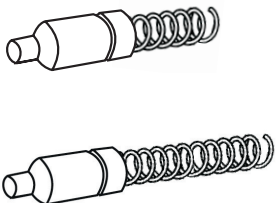


### Mandrels for BSR speed rivets

d1 Ø m/m		SIZE	COLOR	T Ø mm	K MAX.	BSR STANDARD MANDREL CODES	STANDARD SPRING CODES	BSR LONG MANDREL CODES	LONG SPRING CODES
<b>2,4</b>	<b>2,45</b>	Standard	Green	1,83	3,02	05BSR010131	05BSR010203	05BSR010134	05BSR010213
	<b>2,50</b>	SM1	Yellow	1,93	3,12	05BSR010132		05BSR010135	
	<b>2,60</b>	SM2	Blue	2,01	3,20	05BSR010133		05BSR010136	
<b>3,2</b>	<b>3,25</b>	Standard	Green	2,34	3,05	05BSR010100	05BSR010200	05BSR010110	05BSR010210
	<b>3,40</b>	SM1	Yellow	2,46	3,20	05BSR010101		05BSR010111	
	<b>3,50</b>	SM2	Blue	2,59	3,38	05BSR010102		05BSR010112	
<b>4,0</b>	<b>4,00</b>	Standard	Green	2,79	3,45	05BSR010103	05BSR010201	05BSR010113	05BSR010211
	<b>4,10</b>	SM1	Yellow	2,92	3,61	05BSR010104		05BSR010114	
	<b>4,25</b>	SM2	Blue	3,05	3,78	05BSR010105		05BSR010115	
<b>4,8</b>	<b>4,85</b>	Standard	Green	3,58	3,99	05BSR010106	05BSR010202	05BSR010116	05BSR010212
	<b>5,00</b>	SM1	Yellow	3,71	4,17	05BSR010107		05BSR010117	
	<b>5,10</b>	SM2	Blue	3,84	4,32	05BSR010108		05BSR010118	



### SPRINGS

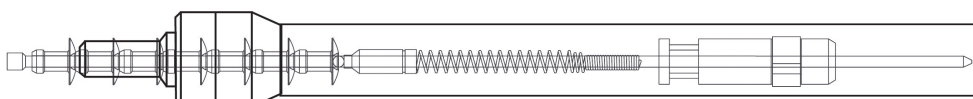


### CURSOR



DESCRIPTION	REFERENCE
JAWS	05BSR010126
CURSOR	05BSR010125

### PLACEMENT



### Mandrels for BSV speed rivets

d1 Ø m/m		SIZE	COLOR	T Ø mm	K MAX.	BSV STANDARD MANDREL CODES
<b>3,2</b>	<b>3,25</b>	Standard	Green	2,34	7,11	05BSV010100
	<b>3,40</b>	SM1	Yellow	2,46	7,11	05BSV010101
	<b>3,50</b>	SM2	Blue	2,59	7,11	05BSV010102
<b>4,0</b>	<b>4,00</b>	Standard	Green	2,79	8,20	05BSV010103
	<b>4,10</b>	SM1	Yellow	2,92	8,20	05BSV010104
	<b>4,25</b>	SM2	Blue	3,05	8,20	05BSV010105
<b>4,8</b>	<b>4,85</b>	Standard	Green	3,58	9,30	05BSV010106
	<b>5,00</b>	SM1	Yellow	3,71	9,30	05BSV010107
	<b>5,10</b>	SM2	Blue	3,84	9,30	05BSV010108